



WARNING

Electronic Control Device
Temporarily incapacitates target.
Can cause injury.
Use only if trained.
Obey warnings and instructions.
See www.TASER.com/safety

Consumer Models

Model	Model No.	Color	Magazine Type	Grip color/style	Holster
TASER® X26C	26010	Yellow	DPM	Metal	Soft Carry
TASER® X26C	26009	Black	DPM	Black	Soft Carry
TASER® X26C	26008	Clear	DPM	Black	Soft Carry

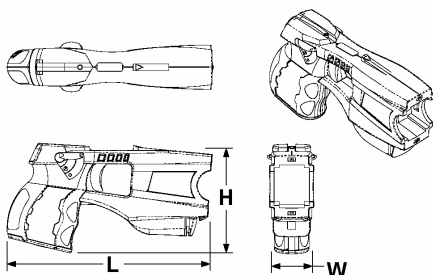
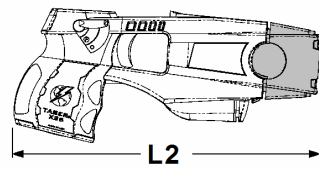
Specifications

1. Output characteristics¹:
Wave form: Complex shaped pulse
Pulse rate: 17 PPS for 2 seconds, 10 PPS thereafter for up to 30 seconds total
Pulse duration: 100 microseconds
The trigger activates a 10-second cycle. Second and third pull increments the cycle 10 seconds each up to 30 seconds total.
Peak open circuit arcing voltage: 50,000 V
Peak loaded voltage: 1,200 V
Current: 1.9 mA average @ 17 PPS
Energy per pulse:
Nominal at main capacitors: 0.36 joules
Delivered into load: 0.07 joules
Power rating @ 17 PPS:
Nominal at main capacitors: 6 watts
Delivered into load: 1.2 watts
2. Power Source: Digital Power Magazine (DPM)^{6,7}
3. Temperature Range: -4 °F [-20°C] to 122 °F [50 °C]
4. Relative humidity: 15% to 80%
5. Housing: High impact polymer
6. Patent: U.S. D508,277 D504,489 and other patents pending

Features

1. Integrated ultra-bright LED's (low intensity illumination).
2. Integrated 650 nm laser (used for target acquisition).
3. Capable of drive stun with or without TASER Cartridge installed.
4. Electrical charge can penetrate up to 2" [5 cm] of clothing.
5. Central Information Display (CID) 2 digit LED displays remaining DPM energy percentage, burst time, warranty expiration, unit temperature, illumination status and current time and date.
6. Ambidextrous safety levers with Safe "S" and Fire "F" denotation.
7. Warranty: 1-year standard, with extended warranties available.⁵
8. Video/Audio Recorder capable with optional TASER CamTM.

Physical Dimensions¹

Dimensions (Without Cartridge)				Dimensions (With Cartridge) ²
Length (L)	Height (H)	Width (W)	Weight	Length (L2)
6.00" [15.24 cm]	3.20" [8.13 cm]	1.300 [3.30 cm]	7.20 oz [204.12 g]	7.250" [18.52 cm]
				

1. Dimensions are in English [metric].
2. For additional cartridges contact TASER International sales representative.
3. TASER Cartridges available only in 15' [4.57 m] range. Use of cartridges not authorized by TASER International will void the product warranty.
4. Product specification may change without notice; actual product may vary from picture.
5. Additional terms and conditions may apply (for additional information contact a TASER International sales representative or visit online at: www.TASER.com for additional details.)
6. Material Safety Data Sheets (MSDS) concerning lithium batteries available upon request.
7. Output specifications may vary dependant upon temperature, battery charge and load characteristics.
8. Additional models available. Please contact a TASER International sales representative for more information.
9. TASER is a registered trademark of TASER International, Inc. All rights reserved.